



The **PETKUS Indented Cylinder Separators ZK and ZL** are used for the sorting and separating of seed, grain, fine and vegetable seeds, corn and similar agricultural, grained and free flowing granular products. The product is separated according to its length.

Indented Cylinder Separators can either be used for separating short grain or long grain, and are available in different sizes and performance categories.

Short Grain Separation – separating short particles: The short particles settle in the indents. The short particles are transported to the top and discharged into the discharge trough by turning the indented cylinder.

Long Grain Separation – separating long particles: The product settles in the indents. The product is transported to the top and discharged into the discharge trough by turning the indented cylinder. The long particles remain in the indented cylinder and are discharged.

Advantages:

- Gentle processing of the product
- High standard of separating quality
- Indented cylinder completely covered
- Simple and quick changing of the cylinder casings
- Operation smooth and free of vibration

Description:

The product is moved from the inlet hopper through the turning indented cylinder. Pocket-shaped cells are stamped in the segments of the indented cylinder. The grain settles in these cells depending on the size of the cells.

By rotating the indented cylinder the settled grain is transported to the top and falls into the trough at a height dependant on its center of gravity. A transport auger within the trough transports the separated grain to the product outlet.

The particles of the product not picked up by the cells of the indented cylinder or which have fallen down below the discharge trough because of their length remain in the indented cylinder and are transported to the corresponding product outlet.

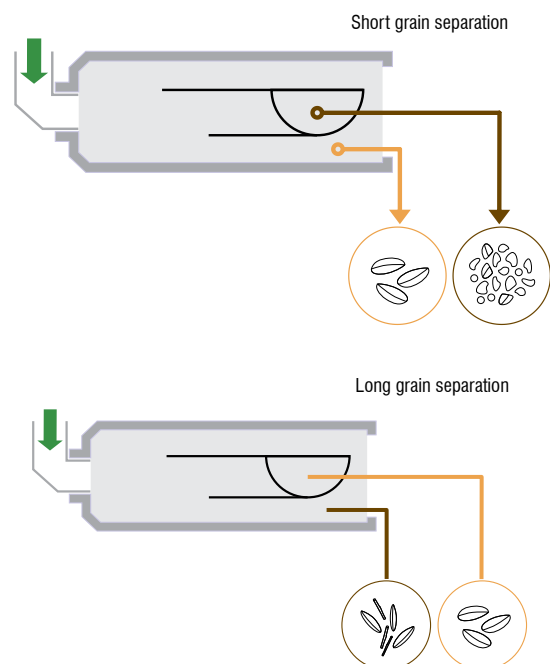
The discharges are guided outwards separately. Samples for the two discharges can be taken at the sampling points.

Standard Equipment:

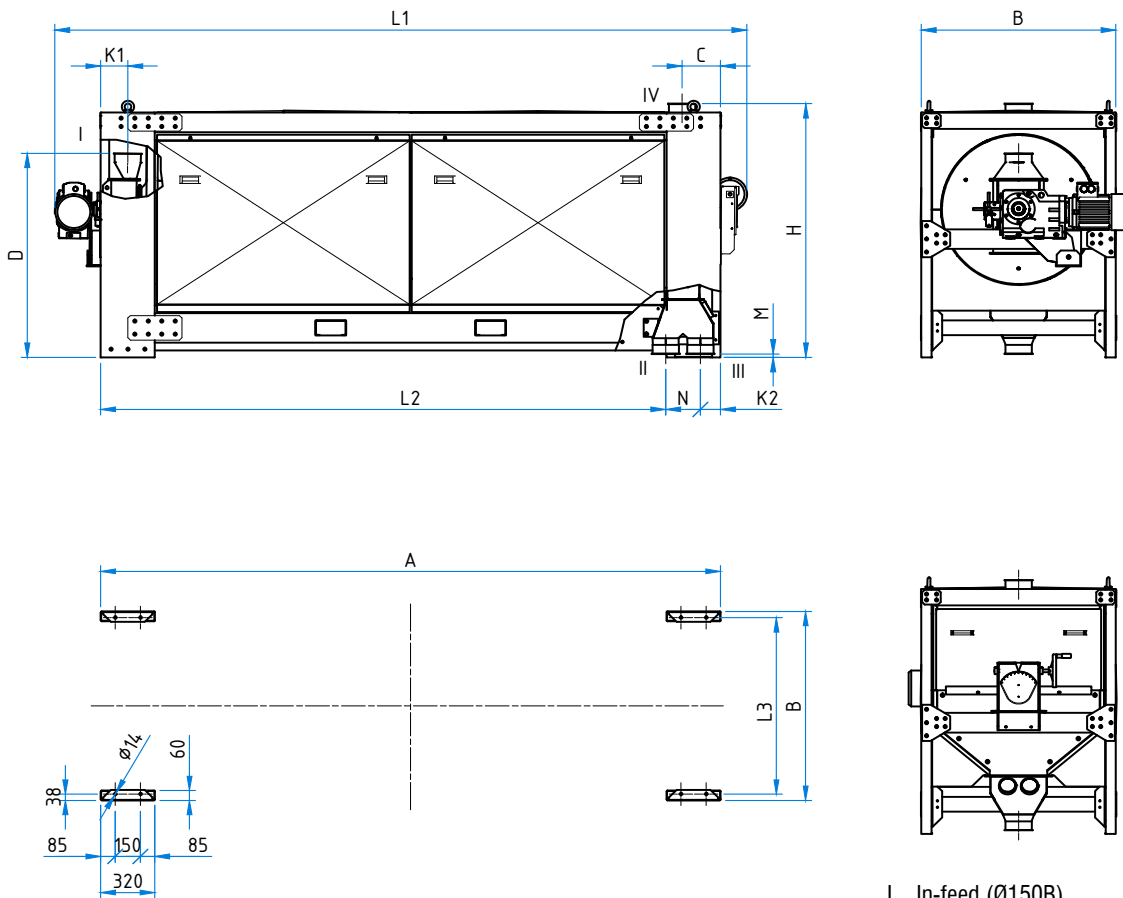
- Bolted housing made of sheet steel
- Indented cylinder with a cylinder casing
- Discharge trough with transport screw
- Drive unit with electric motor
- Product inlet and product outlets
- Aspiration connection

Options:

- Cylinder casings available with various cell sizes



Indented Cylinder ZK / ZL



- I In-feed (Ø150B)
- II Outlet cylinder (Ø150B)
- III Outlet trough (Ø150B)
- IV Suction connection (Ø150B)

| Type | | A | B | C | D | K ₁ | H | K ₂ | L ₁ | L ₂ | L ₃ | M | N |
|------|-----|------|------|-----|------|----------------|------|----------------|----------------|----------------|----------------|----|-----|
| ZK | ZL | mm | mm | mm | mm | mm | mm | mm | mm | mm | mm | mm | mm |
| 615 | 615 | 2165 | 850 | 228 | 1067 | 160 | 1225 | 120 | 2544 | 1840 | 740 | 21 | 205 |
| 625 | 625 | 3165 | 850 | 228 | 1067 | 160 | 1225 | 120 | 2840 | 2840 | 774 | 21 | 205 |
| 730 | 730 | 3665 | 950 | 228 | 1121 | 160 | 1325 | 120 | 3340 | 3340 | 874 | 21 | 205 |
| 930 | 930 | 3665 | 1150 | 228 | 1242 | 160 | 1545 | 120 | 3340 | 3340 | 1074 | 21 | 205 |

| Type | | Capacity* | Diameter | Cylinder length | Motor | Speed | Aspiration | | Weight |
|------|-----|-----------|----------|-----------------|-------|-------|---------------------|-----|-----------|
| ZK | ZL | t/h | mm | mm | kW | rpm | m ³ /min | Pa | kg |
| 615 | 615 | 3.0 | 600 | 1500 | 1.1 | 41 | 8 | 90 | 600 |
| 625 | 625 | 5.0 | 600 | 2500 | 1.5 | 41 | 8 | 90 | 880 |
| 730 | 730 | 8.0 | 700 | 3000 | 2.2 | 38 | 10 | 150 | 1140/1110 |
| 930 | 930 | 12.0 | 900 | 3000 | 4.0 | 34 | 12 | 200 | 1350 |

*Wheat with 3% impurities

Technical alteration reserved.