



The **PETKUS Indented Cylinder Separators ZA** are used for the sorting of seed, grain, fine and vegetable seeds, corn and similar agricultural, grained and free flowing granular products. The material is sorted according to its length.

The indented cylinders are available in different sizes and performance categories.

Short Grain Separation – separating short particles: The short particles settle in the indents. The short particles are transported to the top and discharged into the discharge trough by turning the indented cylinder.

Long Grain Separation – separating long particles: The product settles in the indents. The product is transported to the top and discharged into the discharge trough by turning the indented cylinder. The long particles remain in the indented cylinder and are discharged.

Advantages:

- Gentle processing of the product
- High standard of separating quality
- Indented cylinders completely covered
- Simple and quick changing of the cylinder casings
- Individual drive unit for each indented cylinder
- Operation smooth and free of vibration

Description:

The Indented Cylinder Separator machines are equipped with an indented cylinder for long grain separation and a cylinder for short grain separation.

The product is moved from the inlet hopper through the turning indented cylinder. Pocket-shaped cells are stamped in the segments of the indented cylinder. The grain settles in these cells depending on the size of the cells.

By rotating the indented cylinder the settled grain is transported to the top and falls into the trough at a height dependant on its center of gravity. A transport auger within the trough transports the separated grain to the product outlet.

The particles of the product not picked up by the cells of the indented cylinder or which have fallen down below the discharge trough because of their length remain in the indented cylinder and are transported to the corresponding product outlet. The discharges are guided outwards separately. Samples for the two discharges can be taken at the sampling points.

Construction:

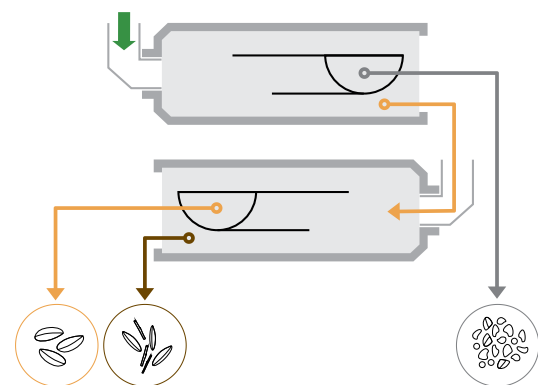
The separator is equipped with an indented cylinder for short grain and an Indented Cylinder for long grain Separation. The trough with a transport screw is inside the indented cylinder. Each indented cylinder is driven with a gear motor.

Standard Equipment:

- Bolted frame made of sheet steel
- Indented cylinder for long grain
- Indented cylinder for short grain
- Discharge troughs with transport screw
- Drive units with electric motor
- Aspiration connection

Options:

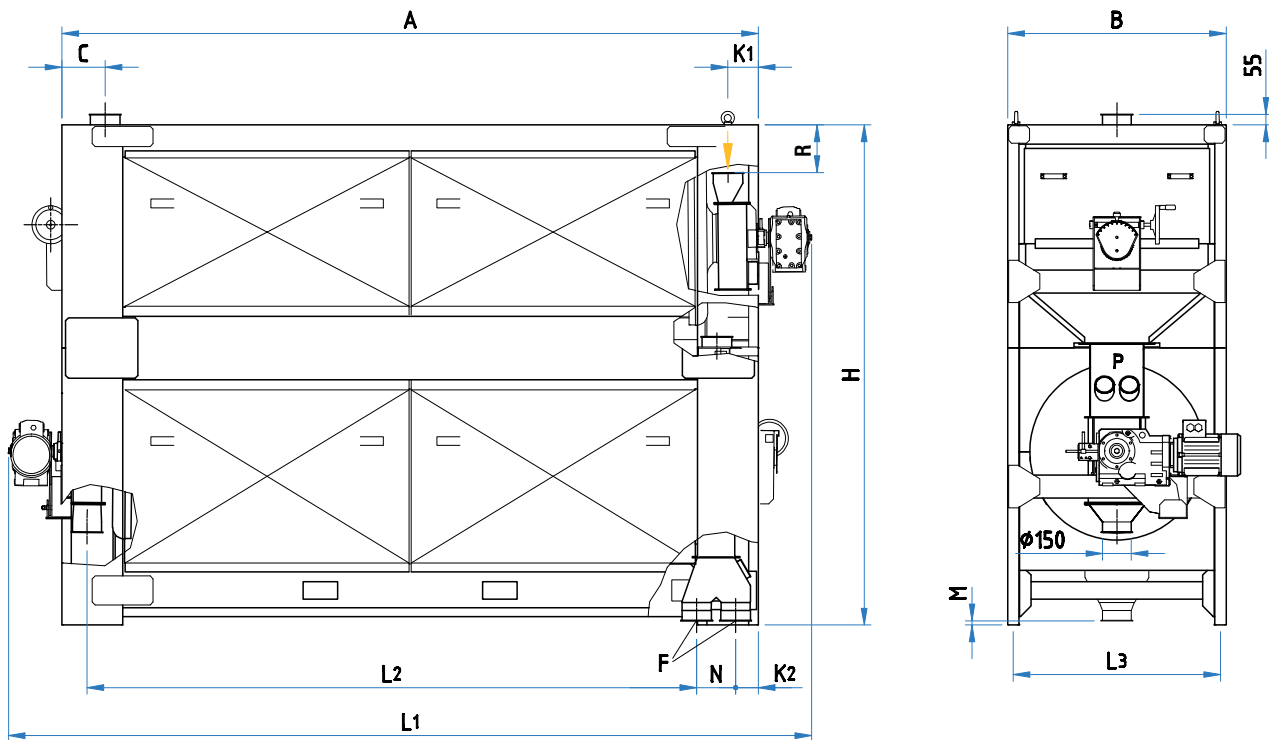
- Cylinder casings available with various cell sizes



Indent cells



Indented Cylinder ZA



Type	A	B	C	K ₁	H	K ₂	F	L ₁	L ₂	L ₃	M	N	R
	mm	mm	mm	mm	mm	mm	mm	mm	mm	mm	mm	mm	mm
ZA 611	2165	850	228	160	1995	120	∅ 150	2605	1707	774	21	205	103
ZA 621	3165	850	228	160	1995	120	∅ 150	3605	2707	774	21	205	103
ZA 731	3665	950	228	160	2160	120	∅ 150	4149	3208	874	21	205	149
ZA 931	3665	1150	228	160	2600	120	∅ 150	4227	3214	1074	21	205	249

Type	Capacity*	Cylinder Diameter/Length mm			Drive	Speed	Aspiration		Weight
		K	L	Length			m ³ /min	Pa	
ZA 611	3,0	600	600	1500	2 x 1,1	41	16	200	1240
ZA 621	5,0	600	600	2500	2 x 1,5	41	16	200	1560
ZA 731	8,0	700	700	3000	2 x 2,2	38	20	250	1960
ZA 931	12	900	900	3000	2 x 4,0	33	24	300	2560

*Wheat with 3% impurities

Technical alteration reserved.